
RPKI deployment at AfriNIC Status Update

**AfriNIC-15
Yaounde, 11/23/2011**

Alain P. AINA
RPKI Project Manager/Spokesman

What is Resource Certification ?

Resource Certification is a security framework for verifying the association between resource holders and their Internet resources.

Add a verifiable form of a holder's current “right-of-use” over Internet resources in the resources management system

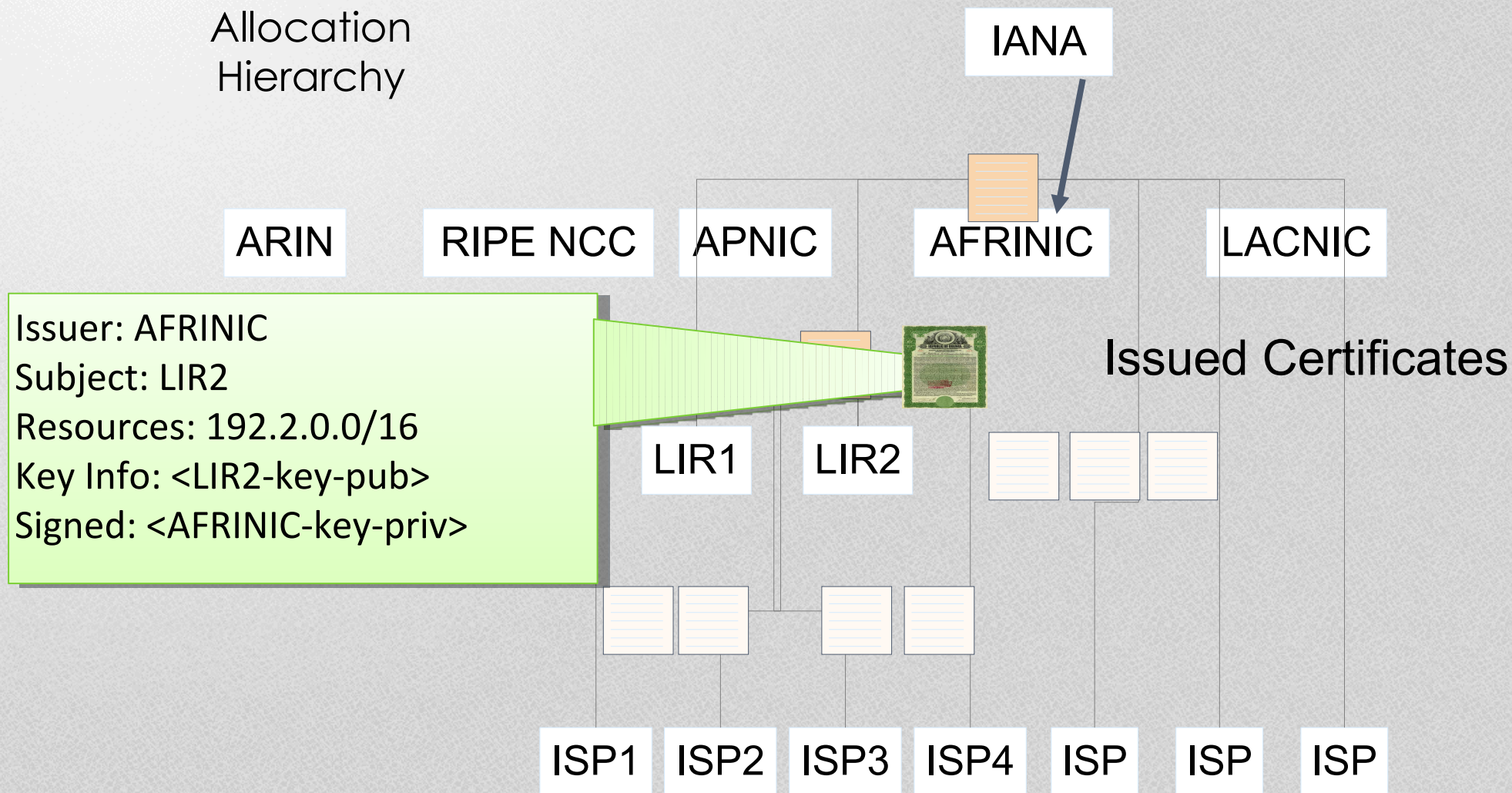
Resource Public Key Infrastructure(RPKI) is a PKI based on the Internet resources management hierarchy and under which X509 certificates with RFC 3779 extensions and other signed objects are published and bound together in an verifiable way.

Motivations for RPKI

- Facilitate better routes filtering
- Prepare for a secure routing
- Solve the chicken-and-egg problem
- Provide trusted data
 - Better than the current Whois and IRR data*
- Post IPv4 exhaustion data accuracy
 - Resource transfers*

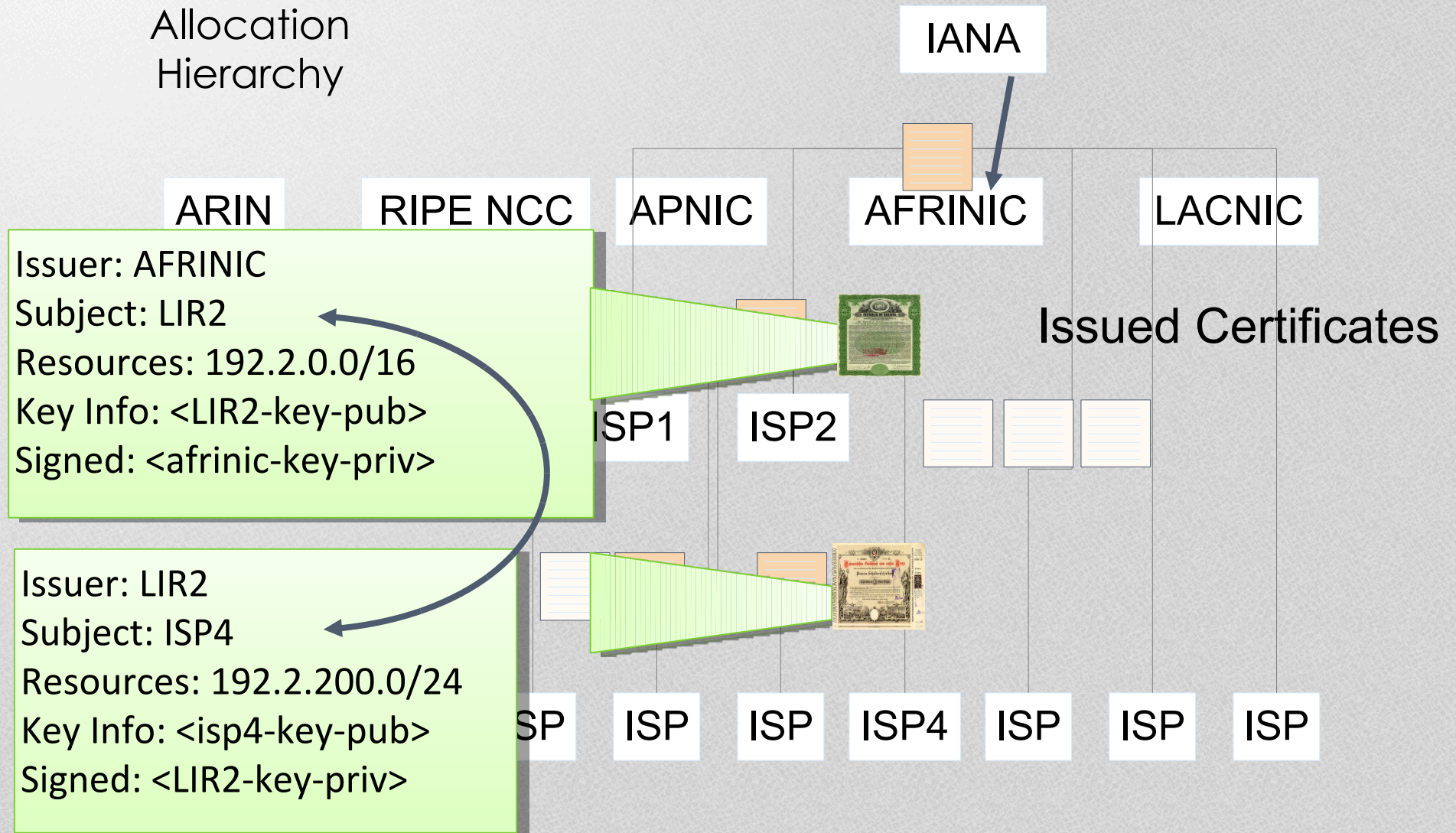
Resource Certificates

Resource
Allocation
Hierarchy



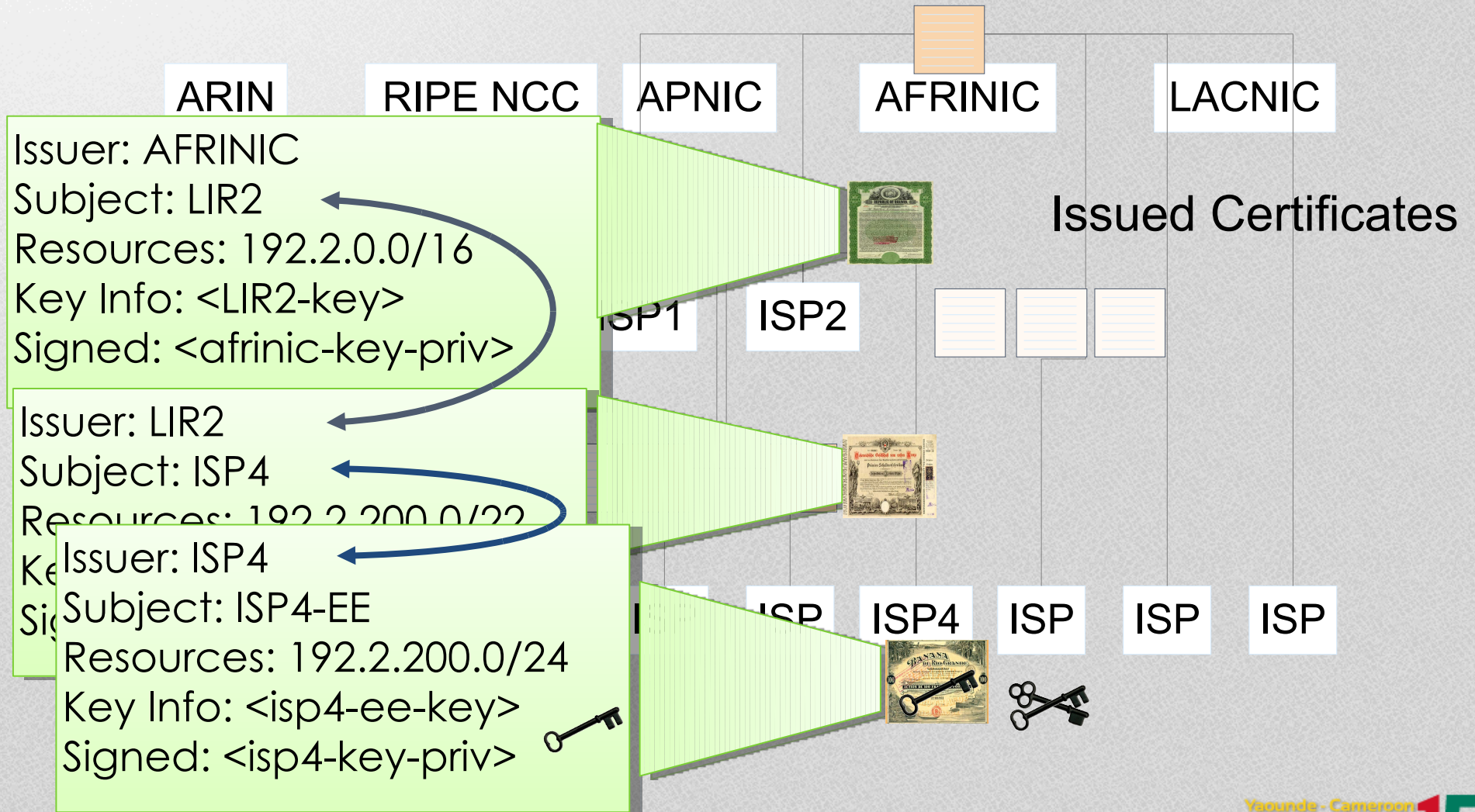
Resource Certificates

Resource
Allocation
Hierarchy



Resource Certificates

Resource
Allocation
Hierarchy



Services for the RPKI

Intended AfriNIC services for LIRs

- Certify LIR resources using the AfriNIC's RPKIE
- Provide hosted RPKI services for LIRs:
 - *A full managed RPKIE for LIR*
 - *Run the LIR's RPKIE et give real control to LIRs*
- Deploy the UP-Down protocol to talk to LIR willing to run their own RPKIE
- Provide the necessary public repository
- Access to these services:
 - *Through the normal channels (MyAFRINIC)*
 - *With strong authentication*

X509 Auth with BPKI certs

RPKI Roadmap to Production

4 Phases by the NRO

- **Phase 1: Pilot**
 - Operational since 15/6/2010
- **Phase 2: Initial Production**
 - 01/01/2011
- **Phase 3: Global Consistency**
 - 01/09/2011
- **Phase 4: Single Trust Anchor**
 - 01/01/2012

Phase 1: Pilot

- Independent deployment
- Not necessarily consistent
 - May overclaim resources (e.g. 0/0)
- Standard
 - Resource Certificates
- Transfers are handled manually

Phase 2: Initial Production

- 5 independent Trust Anchors
 - One per RIR
 - Split
 - Extended Trust Anchor (ETA)
 - Resource Trust Anchor (RTA)
- RTA reflects allocated resources
 - Minimal overclaiming
- Standard
 - Resource Certificates
 - Repositories
 - TA
 - CP & consistent CPS's
- Inter-RIR transfers handled manually

Phase 3: Global Consistency

- 5 independent ETAs
- RTAs are congruent with the IANA registry
 - No overclaiming, majority RIR for the ERX space
 - Visible consistency
- Standard
 - Resource Certificates
 - Repositories
 - ETA
 - Up-Down protocol
 - CP & consistent CPS's
- Inter-RIR transfers can be automated

Phase 4: Single TA

- One Single TA
 - May be a natural 0/0
- Standard
 - Resource Certificates
 - Repositories
 - Up-Down protocol
 - CP & consistent CPS's
- Changes to the global registry and transfers can be automated

AfriNIC's RPKI System

- Based on APNIC code
- Integrated into myAfriNIC
- Current TA cover
 - IPv4: (41-196-197)/8
 - IPv6: 2001:4200::/23 ; 2C00:0000::/12
 - ASNs: all listed “assigned by AfriNIC” at <http://www.iana.org/assignments/as-numbers/as-numbers.xml>
- Open for the community since 01/01/2011
 - <http://www.afrinic.net/membership/certification.htm>

RIR Deployment Status

- Each RIR has completed Phase 1 and 2
- Implemented the TAL
 - <http://tools.ietf.org/wg/sidr/draft-ietf-sidr-ta/>
- 17 children hosted
- Working on Phase 3
- Following the single TA discussions with ICANN

Firefox File Edit View History Bookmarks Tools Window Help
Index of /
afrinic.net https://rpki.afrinic.net/
Most Visited - Getting Started Latest Headlines Features/DNSSEC IETF Journal-IETF-K... Whois v3 object tem... The Dell Online Stor... draft-change 32bit ... RIPE Da
African Network Informatio... Apple - Start African Network Informatio... African Network Informatio... Index of /

Index of /

<u>Name</u>	<u>Last modified</u>	<u>Size</u>	<u>Description</u>
 member_repository/	16-Nov-2010 15:09	-	
 repository/	19-Jul-2010 12:59	-	

Apache/2.2.3 (CentOS) Server at rpki.afrinic.net Port 443

Also available through rsync
rsync://rpki.afrinic.net

Questions ?